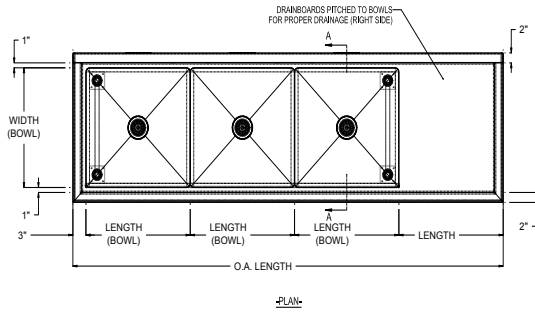


## THREE COMPARTMENT SINKS W/ ONE DRAINBOARD & CROSS BRACING

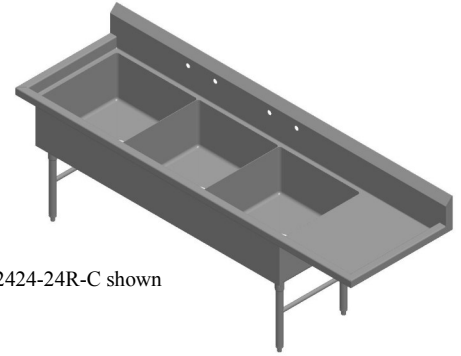
PROJECT#: \_\_\_\_\_

ITEM# \_\_\_\_\_

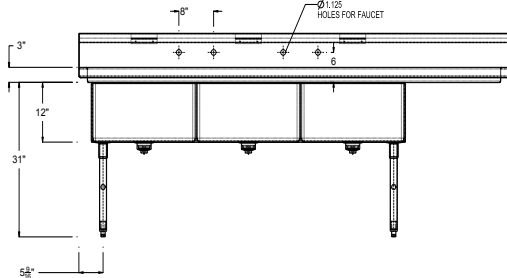
MODEL# \_\_\_\_\_



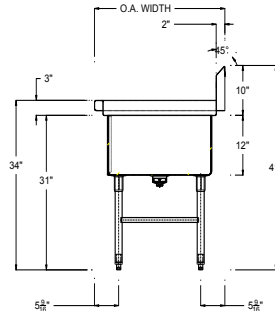
PLAN



Model # C-3-2424-24R-C shown



ELEVATION



SECTION AA



| THREE COMPARTMENT SINKS W/ ONE DRAINBOARD WITH CROSS BRACING |     |                             |              |                   |             |            |                |
|--|-----|-----------------------------|--------------|-------------------|-------------|------------|----------------|
| MODEL#   | QTY | PRODUCT DIMENSIONS (INCHES) |              |                   |             |            |                |
|  |     | LENGTH (BOWL)               | WIDTH (BOWL) | DRAINBOARD LENGTH | O.A. LENGTH | O.A. WIDTH | OVERALL HEIGHT |
| C-3-1618-18R-C   |     | 16"                         | 18"          | 18" ON RIGHT      | 69"         | 24"        | 41"            |
| C-3-1618-18L-C   |     | 16"                         | 18"          | 18" ON LEFT       | 69"         | 24"        | 41"            |
| C-3-1618-24R-C   |     | 16"                         | 18"          | 24" ON RIGHT      | 75"         | 24"        | 41"            |
| C-3-1618-24L-C   |     | 16"                         | 18"          | 24" ON LEFT       | 75"         | 24"        | 41"            |
| C-3-1624-18R-C   |     | 16"                         | 24"          | 18" ON RIGHT      | 75"         | 24"        | 41"            |
| C-3-1824-18R-C   |     | 18"                         | 24"          | 18" ON RIGHT      | 75"         | 30"        | 41"            |
| C-3-1824-18L-C   |     | 18"                         | 24"          | 18" ON LEFT       | 75"         | 30"        | 41"            |
| C-3-1824-24R-C   |     | 18"                         | 24"          | 24" ON RIGHT      | 81"         | 30"        | 41"            |
| C-3-1824-24L-C   |     | 18"                         | 24"          | 24" ON LEFT       | 81"         | 30"        | 41"            |
| C-3-2424-18R-C   |     | 24"                         | 24"          | 18" ON RIGHT      | 93"         | 30"        | 41"            |
| C-3-2424-18L-C   |     | 24"                         | 24"          | 18" ON LEFT       | 93"         | 30"        | 41"            |
| C-3-2424-24R-C   |     | 24"                         | 24"          | 24" ON RIGHT      | 99"         | 30"        | 41"            |
| C-3-2424-24L-C   |     | 24"                         | 24"          | 24" ON LEFT       | 99"         | 30"        | 41"            |
| C-3-2030-20R-C   |     | 20"                         | 30"          | 20" ON RIGHT      | 83"         | 36"        | 41"            |
| C-3-2030-20L-C   |     | 20"                         | 30"          | 20" ON LEFT       | 83"         | 36"        | 41"            |
| C-3-2030-24R-C   |     | 20"                         | 30"          | 24" ON RIGHT      | 87"         | 36"        | 41"            |
| C-3-2030-24L-C   |     | 20"                         | 30"          | 24" ON LEFT       | 87"         | 36"        | 41"            |
| C-3-2430-24R-C   |     | 24"                         | 30"          | 24" ON RIGHT      | 99"         | 36"        | 41"            |
| C-3-2430-24L-C   |     | 24"                         | 30"          | 24" ON LEFT       | 99"         | 36"        | 41"            |
| C-3-2430-30R-C   |     | 24"                         | 30"          | 30" ON RIGHT      | 105"        | 36"        | 41"            |
| C-3-2430-30L-C   |     | 24"                         | 30"          | 30" ON LEFT       | 105"        | 36"        | 41"            |

### SINK SPECIFICATIONS:

- TOP:** 16 GA. 300 Series Stainless Steel
- SINK BOWLS:** 16 GA. 300 Series Stainless Steel
- CROSS BRACING:** 1" Diameter Stainless Steel Welded To Legs
- LEGS:** 1 5/8" Diameter Stainless Steel Tubing

### CONSTRUCTION:

- ◆ Fully welded, Seamless, Polished to #4 Finish
- ◆ Euro Edge
- ◆ S/S Adjustable Bullet Feet
- ◆ Crumb Cup Drain 1 1/2" IPS
- ◆ 8" On Center Faucet Holes
- ◆ Ships with (3) Wall Mount "Z" Clip
- ◆ (2) Sets of Faucet Holes on Bowls Greater Than 18" Long
- ◆ Integral 10" Tall Backsplash